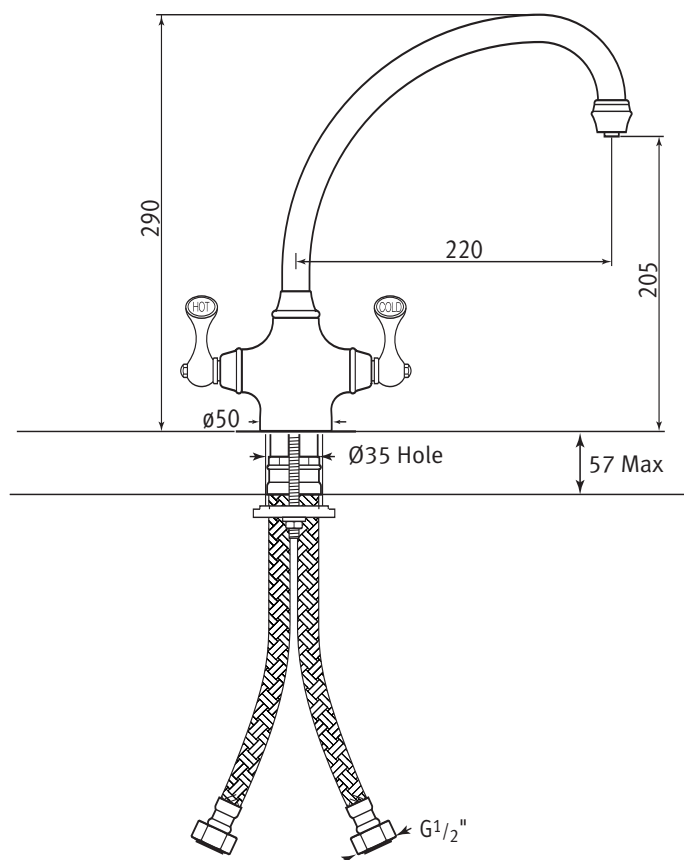


# Specification 4320



## Etruscan Monobloc Mixer

- 1/4 turn ceramic disc flow control. ● vernier insert for accurate handle alignment.
- unique handle construction with integral bearing. ● flexible connections for easier installation.
- Biflow



### Temp Range:

min 1°C/34°F

max 85°C/185°F

### Recommended working pressure:

min 0.2 bar/3 psi

max 5 bar/75 psi



# Specification 4320



## Etruscan Monobloc Mixer

- 1/4 turn ceramic disc flow control. ● vernier insert for accurate handle alignment.
- unique handle construction with integral bearing. ● flexible connections for easier installation.
- Biflow

Where \* Indicated Specify Colour.

