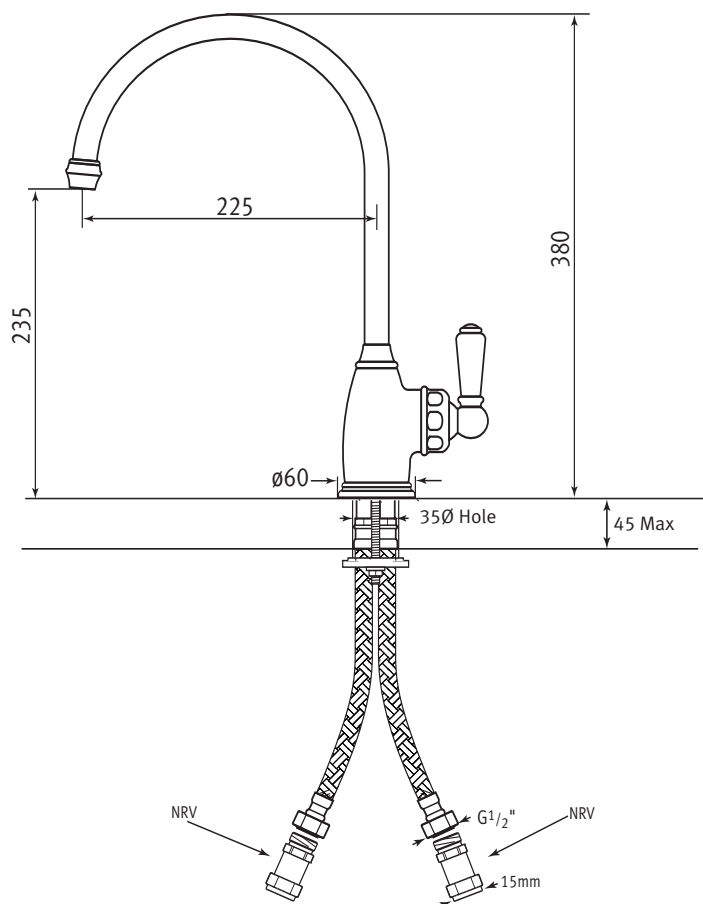


Specification 4341

Parthian Monobloc Single Porcelain Lever Mixer

- easy to operate single handle design. ● flexible connectors for easier installation.
- Corian handle



Temp Range:

min 1°C/34°F

max 85°C/185°F

Recommended working pressure:

min 0.2 bar/3 psi

max 5 bar/75 psi



Specification 4341

Parthian Monobloc Single Porcelain Lever Mixer

- easy to operate single handle design. ● flexible connectors for easier installation.
- Corian handle

Where * Indicated Specify Colour.

