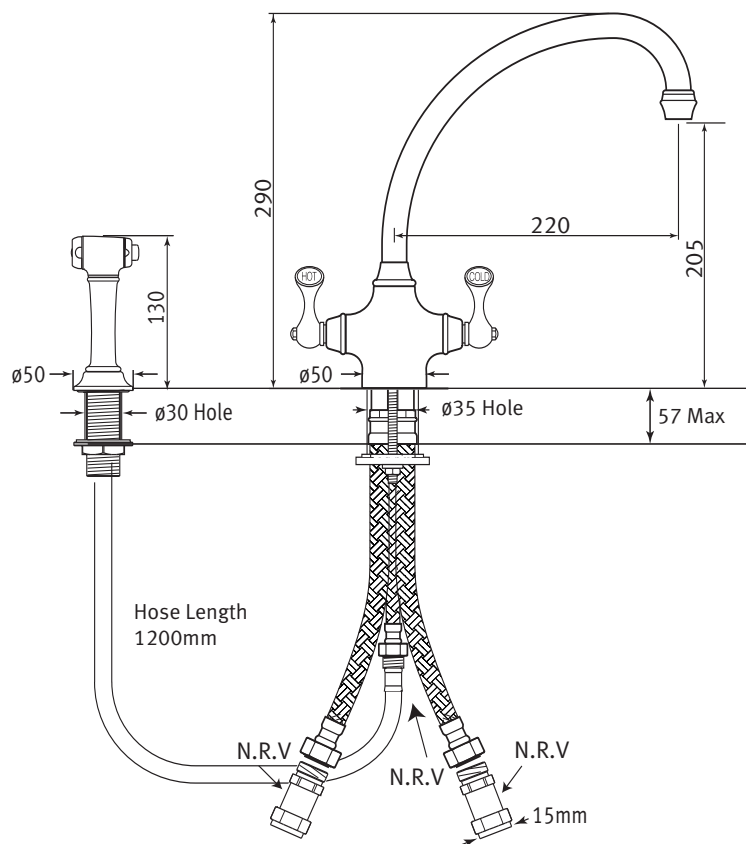


# Specification 4350

## Etruscan Monobloc Mixer with Rinse

- 1/4 turn ceramic disc flow control. ● vernier insert for accurate handle alignment.
- flexible connectors for easier installation. ● Pull out rinse with insulated handle



### Temp Range:

min 1°C/34°F  
max 85°C/185°F

### Recommended working pressure:

min 1 bar/15 psi  
max 5 bar/75 psi



# Specification 4350

## Etruscan Monobloc Mixer with Rinse

- 1/4 turn ceramic disc flow control. ● vernier insert for accurate handle alignment.
- flexible connectors for easier installation. ● Pull out rinse with insulated handle

Where \* Indicated Specify Colour.

