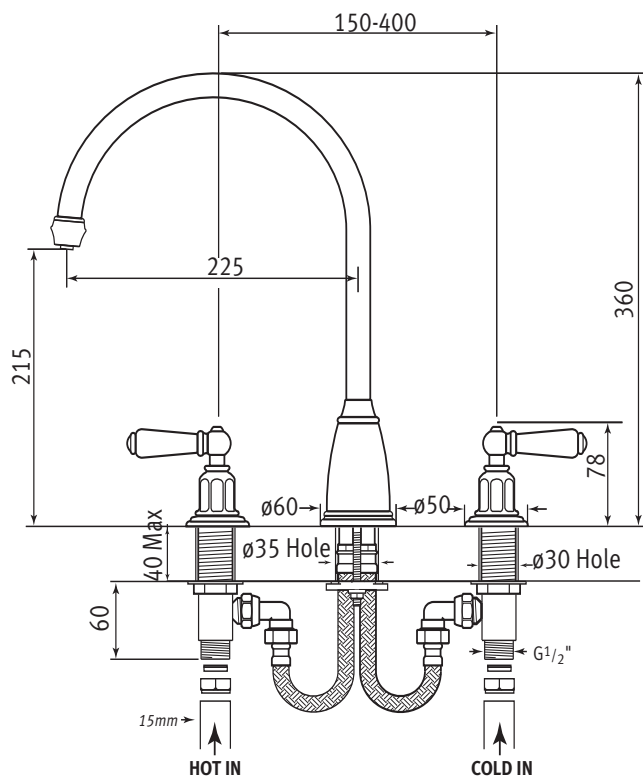


Specification 4371

Athenian Three Hole Mixer with Porcelain Lever Handles

- 1/4 turn ceramic disc flow control. ● vernier insert for accurate handle alignment.
- unique handle construction with integral bearing. ● flexible connectors for easier installation.
- Biflow. ● Corian available.



Temp Range:

min 1°C/34°F
max 85°C/185°F

Recommended working pressure:

min 0.2 bar/3 psi
max 5 bar/75 psi



Specification 4371

Athenian Three Hole Mixer with Porcelain Lever Handles

- 1/4 turn ceramic disc flow control. ● vernier insert for accurate handle alignment.
- unique handle construction with integral bearing. ● flexible connectors for easier installation.
- Biflow. ● Corian available.

Where * Indicated Specify Colour.

