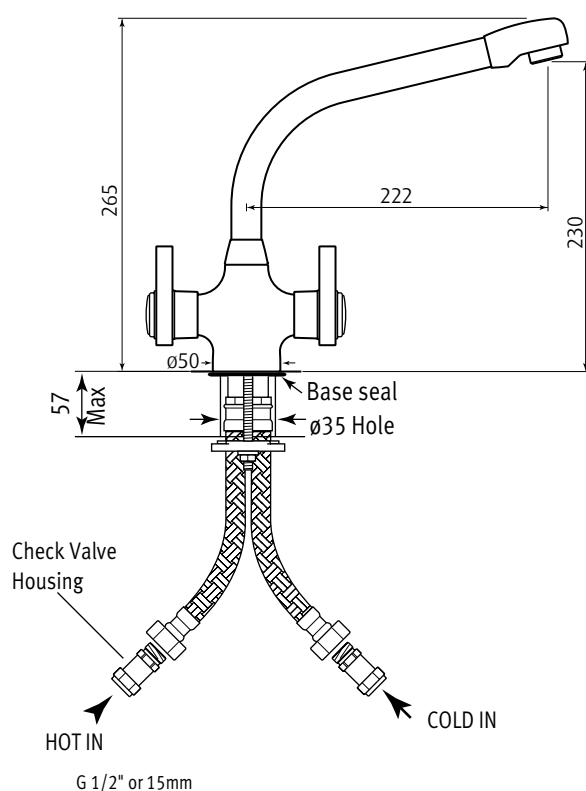


# Specification 4440



## Byzantine Monobloc Mixer with Baroque Spout and Teardrop Handles

- 1/4 turn ceramic disc flow control. ● vernier insert for accurate handle alignment.
- unique handle construction with integral bearing ring. ● flexible connectors for easier installation.
- Corian teardrop handles.



### Temp Range:

min 1°C/34°F  
max 85°C/185°F

### Recommended working pressure:

min 1 bar/15psi  
max 5 bar/75psi

# Specification 4440



## Byzantine Monobloc Mixer with Baroque Spout and Teardrop Handles

- 1/4 turn ceramic disc flow control. ● vernier insert for accurate handle alignment.
- unique handle construction with integral bearing ring. ● flexible connectors for easier installation. ● Corian teardrop handles.

Where \* Indicated Specify Colour.

