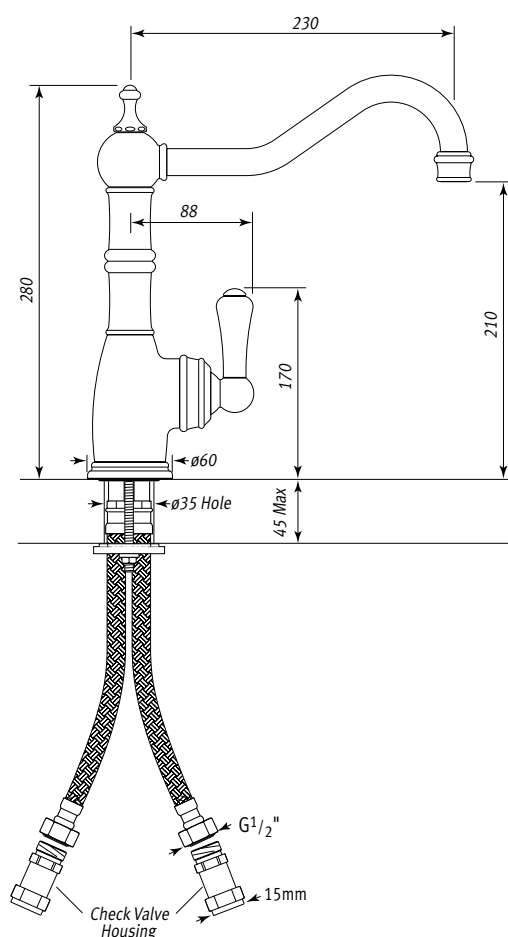


Specification 4741

Aquitaine Single Lever Monobloc Mixer

- Easy to operate single handle design.
- Flexible connectors for easier installation.



Temp Range:

min 1°C/34°F
max 85°C/185°F

Recommended working pressure:

min 1 bar/15 psi
max 5 bar/75psi



Specification 4741

Aquitaine Single Lever Monobloc Mixer

- Easy to operate single handle design.
- Flexible connectors for easier installation.

Where * Indicated Specify Colour.

