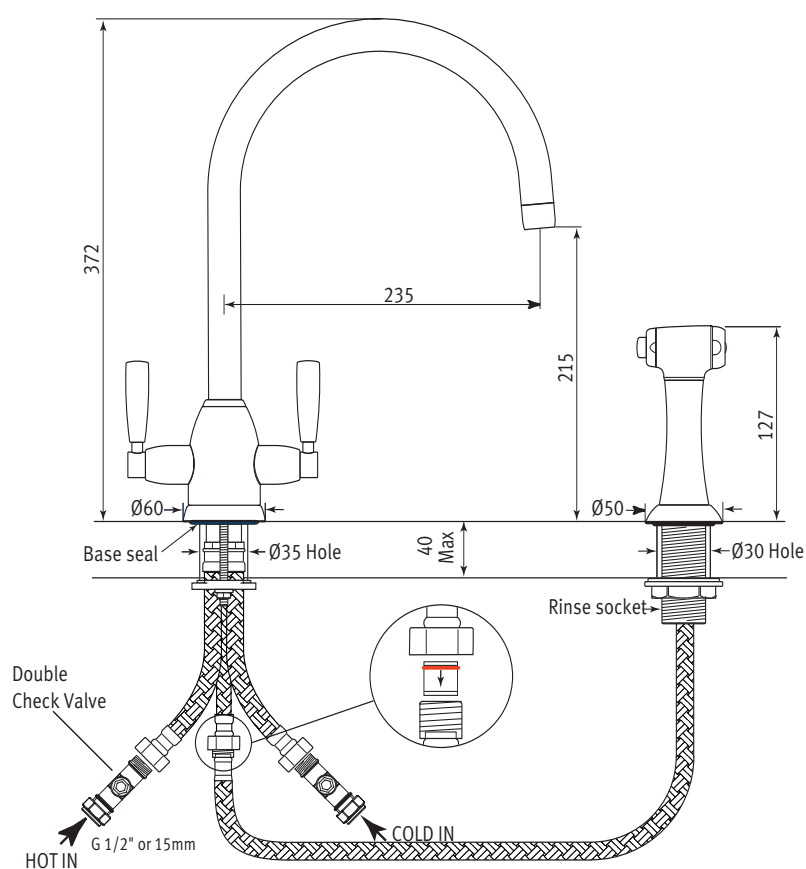


# Specification 4866

## Oberon Monobloc Sink Mixer with 'C' Spout & Rinse

- 1/4 turn ceramic disc flow control. ● vernier insert for accurate handle alignment.
- unique handle construction with integral bearing ring. ● flexible connectors for easier installation. ● Pull out rinse with insulated handle.



### Temp Range:

min 1°C/34°F  
max 85°C/185°F

### Recommended working pressure:

min 1 bar/15 psi  
max 5 bar/75 psi



# Specification 4866

## Oberon Monobloc Sink Mixer with 'C' Spout & Rinse

- 1/4 turn ceramic disc flow control. ● vernier insert for accurate handle alignment.
- unique handle construction with integral bearing ring. ● flexible connectors for easier installation. ● Pull out rinse with insulated handle.

