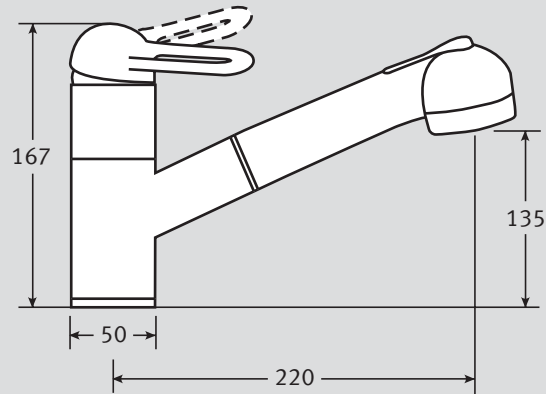


Arc Top Lever Spray Specifications

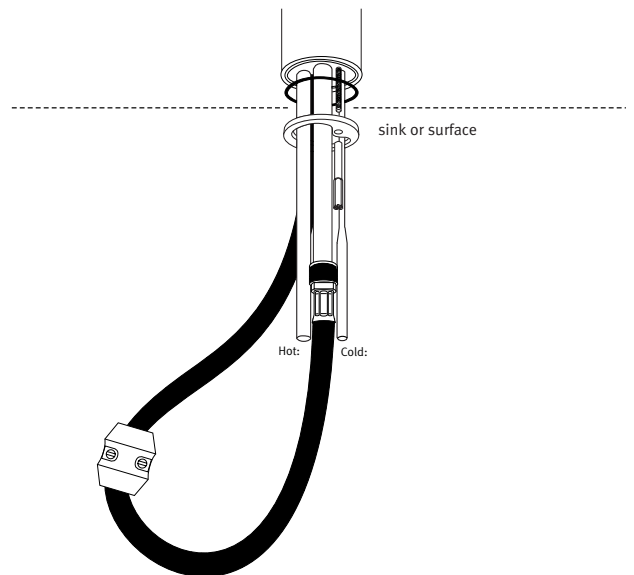
- Single lever mixer
- Pullout spray rinse
- Solid brass body
- Compatible with most Franke sink types
- Available in Chrome or SilkSteel
- Requires 35mm tap hole
- Conforms to W.R.C. requirements
- Fully guaranteed with nationwide servicing*



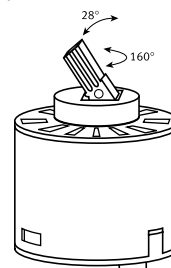
Material:	Solid brass body Hand held wand in ABS	
Type:	Ceramic disk cartridge	
Spout:	Single hose with switch loop for spray/rinse	
Tails:	Factory fitted copper tails. Supplied with fixing kit for body	
Tap Height:	135 (overall tap height 167)	
Spout Reach:	220	
Handle Width:	Not applicable	
Colours:	Chrome or SilkSteel	
Maximum Water Pressure:	73 PSI bar (5 bar)	
Maximum hot-water Temperature:	70°C	
Recommended hot water Temperature:	65°C	
Guarantee:-	Ceramic disc:	5 year
	Surface:	1 year
Joints:	It is recommended that compression fittings are used to link the tap to the supply.	

Some taps may require bracing to avoid flexing of the sink ledge.

Tails:



Valve Mechanism:



* South Services: 0870 241 5632 * Central Services: 01782 599258

All Franke taps are designed to conform with Water Research Council Requirements and are backed by nationwide servicing and guarantees.

NB. Ceramic disc taps in certain installations or where there is a low head of water (below 4 metres) may not provide adequate flow rates. You are advised to check with your supplier. The minimum supply pressure for **Hot** water should be 1 bar to operate the rinse. The optimum is 2 bar from a balanced system (hot and cold).

Pull out nozzle and spray taps may require additional pumping in some instances and local water authority approval prior to installation.