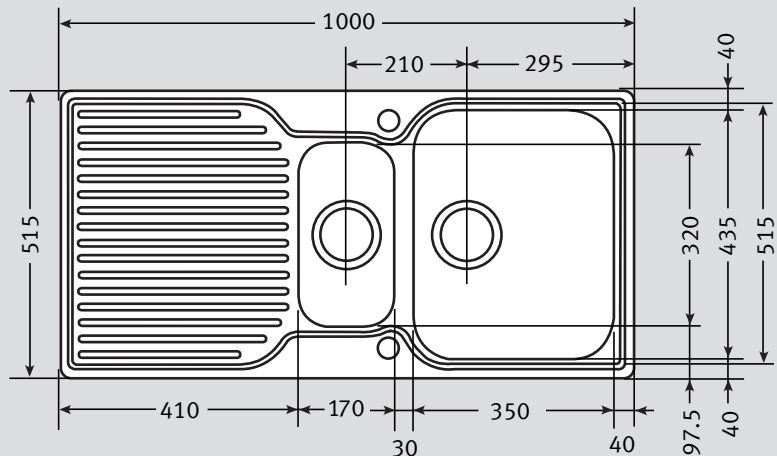
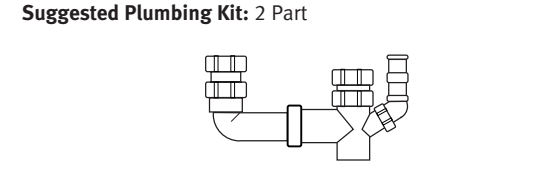
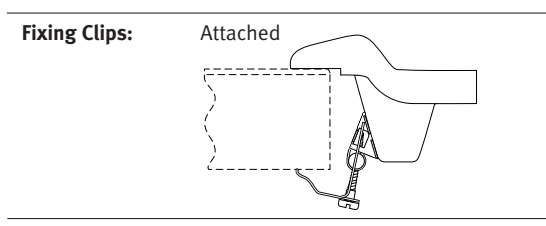
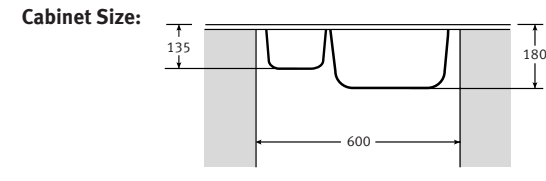


# ARG 651 Specifications

- **2 x 90mm Wastes with matching Basket Strainer Wastes.** Capable of adaptation to take Waste Disposal Unit.
- **Stainless steel accessories available.**
- **Large diagonal bowl dimension.**
- **Multi-fluted drainer ribs.**
- **Ideal working configuration.**
- **Reversible format.**



<b>Material:</b>	SilkSheen Fraganite	<b>Waste:</b>	2 x 90mm Basket Strainer Wastes	<b>Overflow:</b>	Not applicable
<b>Application:</b>	Inset				
<b>Bowl Size:</b>	350 x 435 x 180 170 x 320 x 135				
<b>Drainer Format:</b>	Left or right hand drainer available				
<b>Cut-out Size:</b>	984 x 494				
<b>Colour:</b>	Polar White, Ivory, Platinum or Graphite				
<b>Seal:</b>	Apply locally	<b>Accessories Available:</b>			
<b>Insulation:</b>	Not applicable				
<b>Heat Resistance:</b>	Up to 280°C	<b>Strainer Bowl</b> Stainless Steel	<b>Drainer Basket</b> Stainless Steel		
<b>Earthing Point:</b>	Not applicable				



**Taps:** Any Franke tap can be utilised with this model\*.

\*Ceramic disc taps in certain installations or where there is a low head of water (below 4 metres) may not provide adequate flow rates. You are advised to check with your supplier.

Some taps may need bracing to avoid flexing of the sink ledge.

**Guarantee:** Franke sinks are guaranteed for 25 years against manufacturing defect. Franke taps are guaranteed against defective materials and workmanship for 1 year in relation to coatings and finishes, and 5 years in relation to moving parts. Franke will replace (and where appropriate repair) defective sinks. In relation to taps, Franke will where appropriate provide replacement parts for your taps or replace your taps. Any associated or ancillary costs to be incurred by you as a result of replacement of Franke sinks and taps under this guarantee shall in all cases be previously approved by Franke UK Limited. This guarantee is in addition to and does not affect your statutory rights.