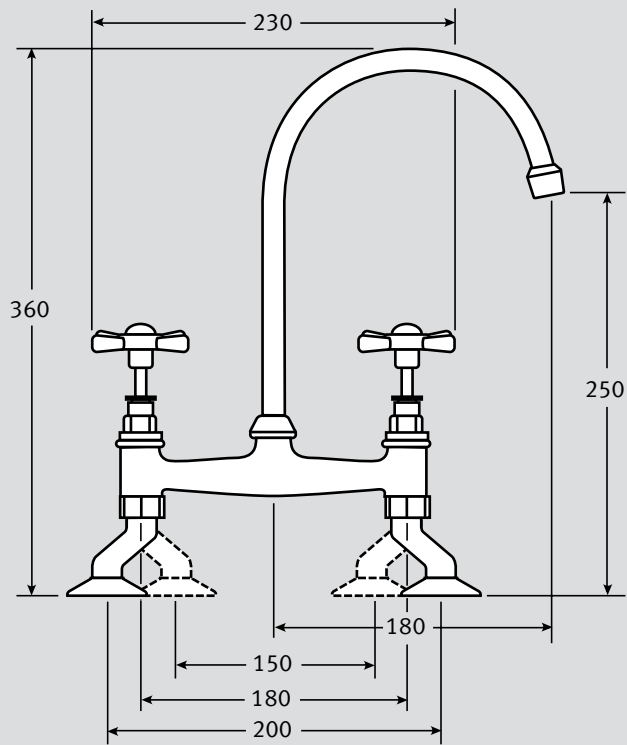


Bridge Tap Specifications

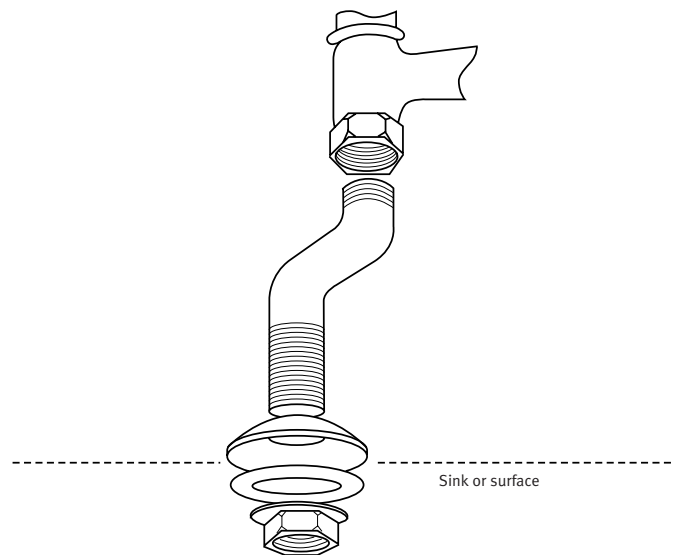
- **Winged handles** giving fingertip control
- **Nostalgic design**
- **Ideal for Farmhouse Style**
- **Taps can be situated in worktop**
- **Variable 'cranked feet design'**
- **Fully guaranteed** with nationwide servicing*



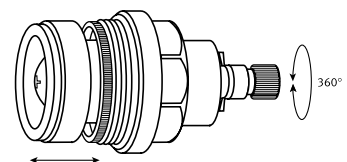
Material:	Solid brass body and brass spout and fittings	
Type:	Twin tap hole Compression valve bridge mixer	
Spout:	Tubular spout with screw down collar	
Tails:	Cranked tails with nuts supplied.	
Tap Height:	250 (overall tap height 360)	
Spout Reach:	180	
Handle Width:	230	
Colours:	Chrome or Gold	
Maximum Water Pressure:	75 PSI (5 bar)	
Maximum hot-water Temperature:	70°C	
Recommended hot water Temperature:	65°C	
Guarantee:-	Valve:	5 year
	Surfaces:	1 year
Joints:	It is recommended that compression fittings are used to link the tap to the supply.	

Tails:

N.B. Supplied with 90mm tails.



Valve Mechanism:



* Central Services: 01782 599258 All Franke taps are designed to conform with Water Research Council Requirements.

NB. Ceramic disc taps in certain installations or where there is a low head of water (below 4 metres) may not provide adequate flow rates. You are advised to check with your supplier.