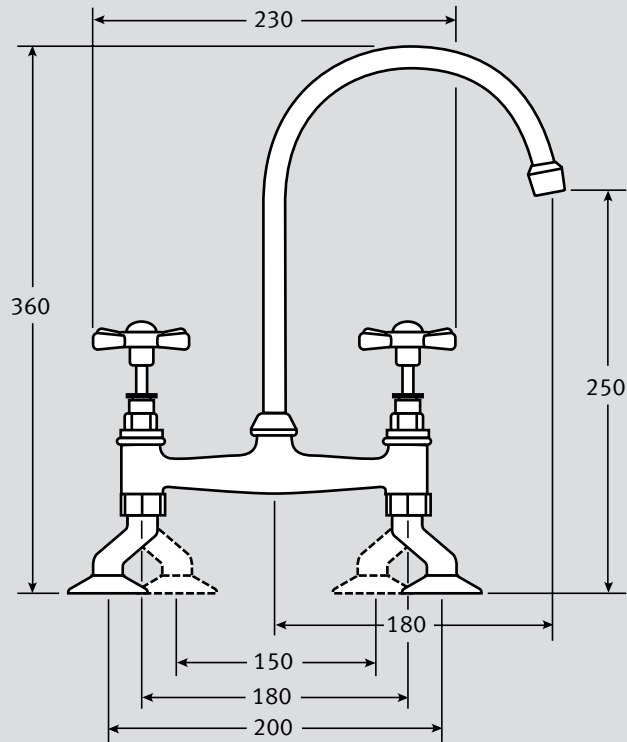


# Professional Bridge Tap Specifications

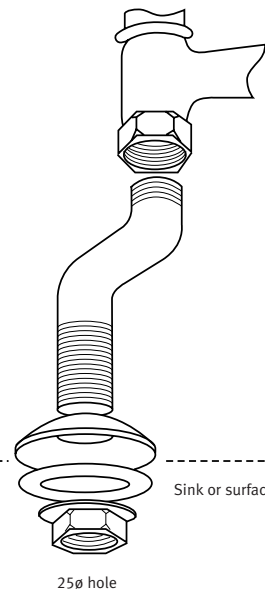
- **Winged handles** giving fingertip control
- **Nostalgic design**
- **Ideal for Farmhouse Style**
- **Taps can be situated in worktop**
- **Variable 'cranked feet design'**
- **Fully guaranteed with nationwide servicing\***



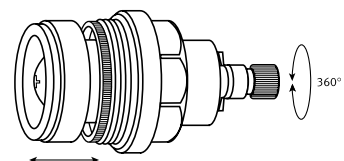
<b>Material:</b>	Solid brass body and brass spout and fittings
<b>Type:</b>	Twin tap hole Compression valve bridge mixer
<b>Spout:</b>	Tubular spout with screw down collar
<b>Tails:</b>	Cranked tails with nuts supplied
<b>Tap Height:</b>	250 (overall tap height 360)
<b>Spout Reach:</b>	180
<b>Handle Width:</b>	230
<b>Colours:</b>	Chrome or Gold
<b>Maximum Water Pressure:</b>	75 PSI (5 bar)
<b>Maximum Hot-Water Temperature:</b>	70°C
<b>Recommended Hot-Water Temperature:</b>	65°C
<b>Guarantee:-</b>	<b>Valve:</b> 5 year <b>Surfaces:</b> 1 year
<b>Joints:</b>	It is recommended that compression fittings are used to link the tap to the supply.

## Tails:

**N.B.** Supplied with 90mm tails.



## Valve Mechanism:



\* Central Services: 01782 599258 All Franke taps are designed to conform with Water Research Council Requirements.

**NB.** Ceramic disc taps in certain installations or where there is a low head of water (below 4 metres) may not provide adequate flow rates. You are advised to check with your supplier.