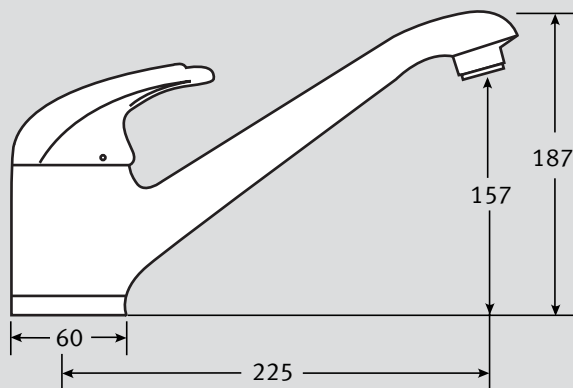


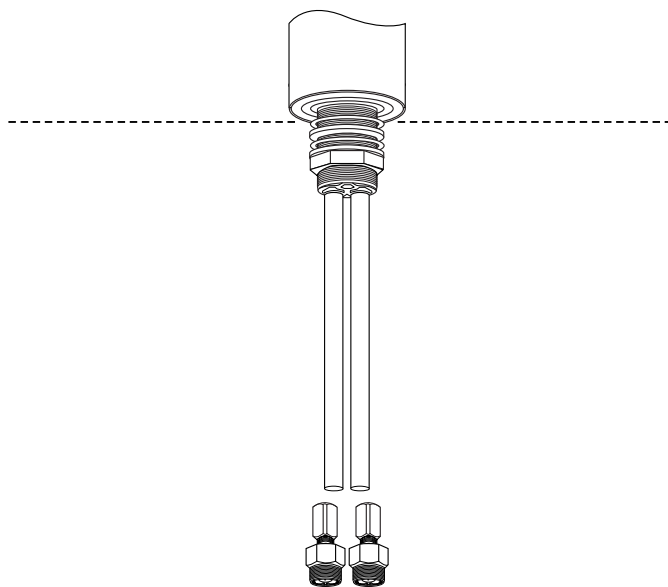
# Dolphin Specifications

- Single lever mixer
- Long reach spout
- Modern Design
- Available in Chrome or Silksteel
- Co-ordinates with a wide range of sinks
- Requires 35mm tap hole
- Fully guaranteed with nationwide servicing\*

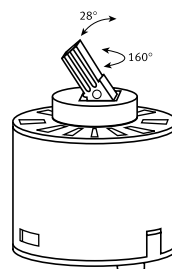


<b>Material:</b>	Solid brass body and spout	
<b>Type:</b>	Ceramic Disc Cartridge	
<b>Spout:</b>	Single flow spout	
<b>Tails:</b>	2 x 10mm Copper Tails fitted. 2 x Non Return Valves Supplied	
<b>Tap Height:</b>	157 (overall tap height 187)	
<b>Spout Reach:</b>	225	
<b>Handle Width:</b>	N/A	
<b>Colours:</b>	Chrome or SilkSteel	
<b>Maximum Water Pressure:</b>	75 PSI (5 bar)	
<b>Maximum hot-water Temperature:</b>	70°C	
<b>Recommended hot water Temperature:</b>	65°C	
<b>Guarantee:-</b>	<b>Valve:</b>	5 year
	<b>Surface:</b>	1 year
<b>Joints:</b>	It is recommended that compression fittings are used to link the tap to the supply.	
Some taps may require bracing to avoid flexing of the sink ledge.		

**Tails:** Factory Fitted



**Valve Mechanism:**



The Franke policy is one of continued improvement, and Franke reserve the right to alter models and specifications without notice.

\* South Services: 0870 241 5632 \* Central Services: 01782 599258 All Franke taps are designed to conform with Water Research Council Requirements.  
**NB.** Ceramic disc taps in certain installations or where there is a low head of water (below 4 metres) may not provide adequate flow rates. You are advised to check with your supplier. The minimum supply pressure for **Hot** water should be 1 bar to operate the rinse. The optimum is 2 bar from a balanced system (hot and cold).