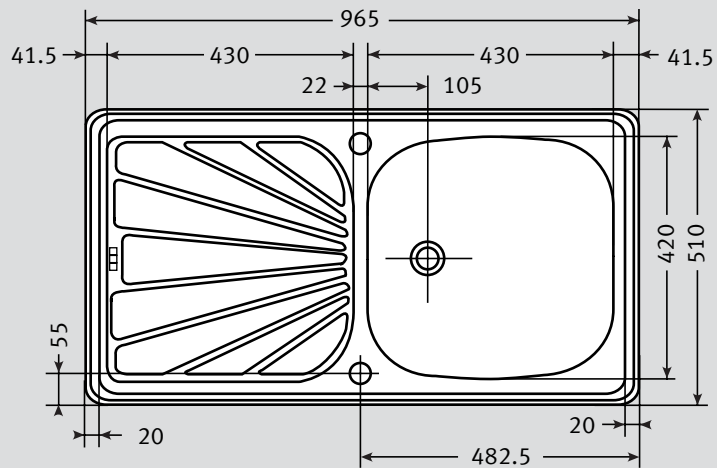

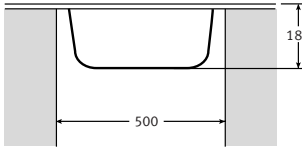
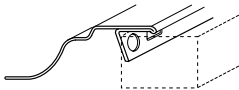
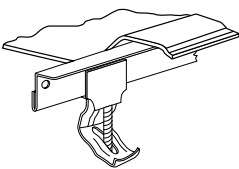
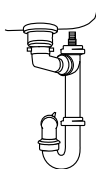


EUN 611 96 Specifications

- Traditional style single bowl, single drainer sink
- Erica type drainer configuration
- Useful in many situations
- Excellent size bowl



Material:	304 Austenitic 18/10 Stainless Steel	Waste:	1 x 45mm Waste with plug and chain	Overflow:	
Application:	Inset				
Bowl Size:	420 x 430 x 180				
Drainer Format:	Reversible				
Cut-out Size:	949 x 494				
Colour:	Polished Stainless Steel	Accessories:	None available		
Seal:	Apply locally				
Insulation:	Black pads for sound				
Heat Resistance:	Up to 300°C				
Earthing Point:	Utilise clip rail slots				
Cabinet Size:					
Sink Profile: Folded Edge		Fixing Clips: 'S' rail			
Suggested Plumbing Kit: 1 part		Taps:	Any Franke tap can be utilised with this model*.		

Guarantee: Franke sinks are guaranteed for 25 years against manufacturing defect. Franke taps are guaranteed against defective materials and workmanship for 1 year in relation to coatings and finishes, and 5 years in relation to moving parts. Franke will replace (and where appropriate repair) defective sinks. In relation to taps, Franke will where appropriate provide replacement parts for your taps or replace your taps. Any associated or ancillary costs to be incurred by you as a result of replacement of Franke sinks and taps under this guarantee shall in all cases be previously approved by Franke UK Limited. This guarantee is in addition to and does not affect your statutory rights.

*Ceramic disc taps in certain installations or where there is a low head of water (below 4 metres) may not provide adequate flow rates. You are advised to check with your supplier.

Some taps may need bracing to avoid flexing of the sink ledge.