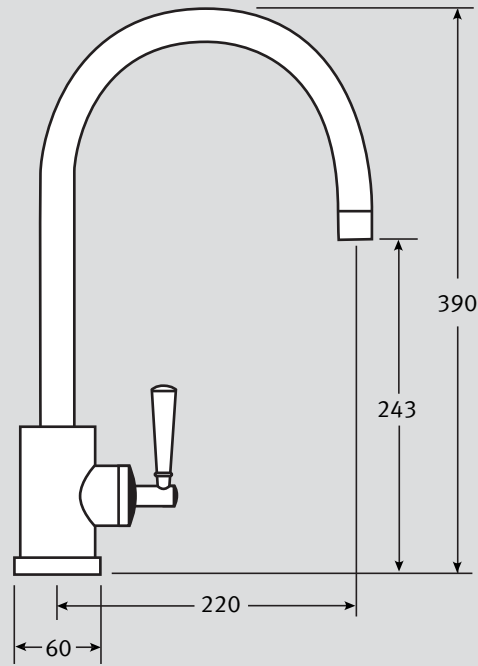


Fuji Specifications

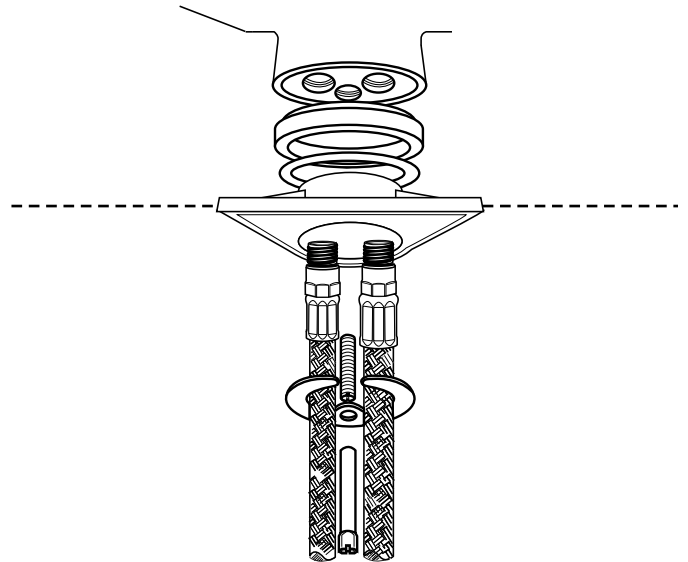
- Single lever mixer
- Ceramic Disc Operation
- Solid brass body
- Compatible with most Franke sink types
- Available in Chrome or SilkSteel
- Requires 35mm tap hole
- Conforms to W.R.C. requirements
- Fully guaranteed with nationwide servicing*



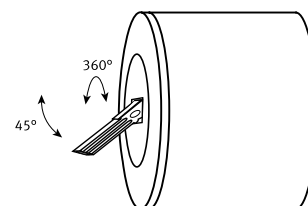
Material:	Solid brass body and tubular brass spout	
Type:	Side mounted lever	
Spout:	Tubular biflow spout with bayonet fitting into body secures by grub screw	
Tails:	Supplied with Flexi Tails. Supplied with fixing kit for body	
Tap Height:	243 (overall tap height 390)	
Spout Reach:	220	
Handle Width:	Not applicable	
Colours:	Chrome or SilkSteel.	
Maximum Water Pressure:	75 PSI (5bar)	
Maximum Hot-Water Temperature:	70°C	
Recommended hot water Temperature:	65°C	
Guarantee:-	Ceramic disc:	5 year
	Surface:	1 year
Joints:	It is recommended that compression fittings are used to link the tap to the supply.	

Some taps may require bracing to avoid flexing of the sink ledge.

Tails:



Valve Mechanism:



* South Services: 0870 241 5632 * Central Services: 01782 599258

All Franke taps are designed to conform with Water Research Council Requirements and are backed by nationwide servicing and guarantees.

NB. Ceramic disc taps in certain installations or where there is a low head of water (below 4 metres) may not provide adequate flow rates. You are advised to check with your supplier.