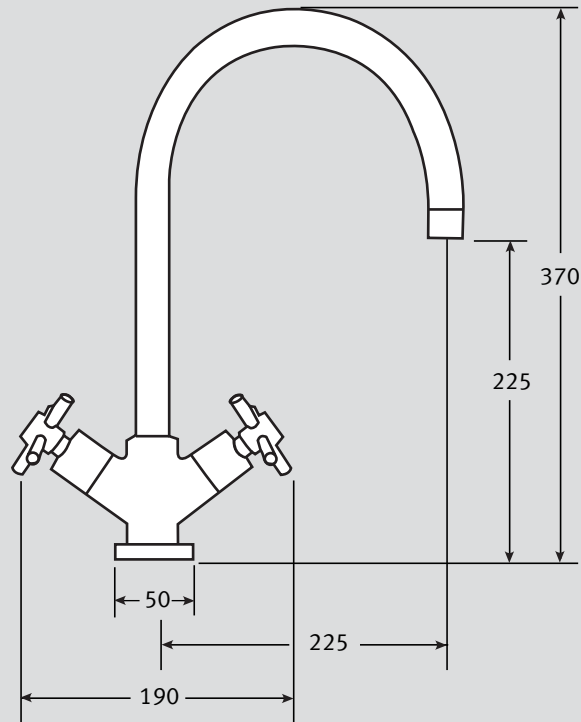


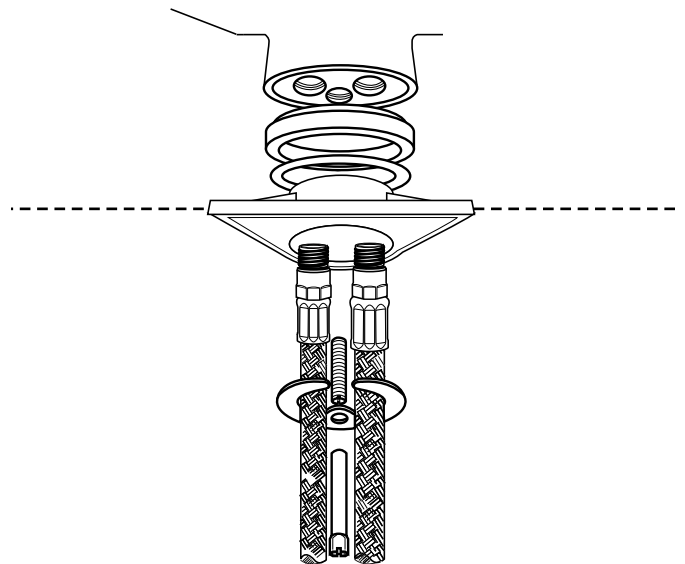
## Helena Specifications

- Modern design
- Quarter turn Capstan handwheels
- Perlator water delivery
- Coded indices
- High arc spout
- Available in Chrome or SilkSteel
- Co-ordinates with a wide range of sinks
- Requires 35mm tap hole
- Fully guaranteed with nationwide servicing\*

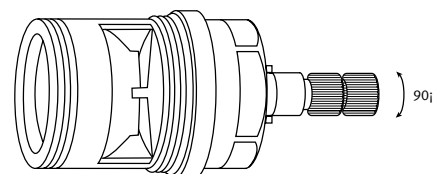


<b>Material:</b>	Solid brass body and brass spout	
<b>Type:</b>	Quarter turn ceramic discs	
<b>Spout:</b>	Tubular single flow spout with 'Perlator' delivery	
<b>Tails:</b>	Flexi tails with built-in non-return valve	
<b>Tap Height:</b>	225 (overall tap height 370)	
<b>Spout Reach:</b>	225	
<b>Handle Width:</b>	190	
<b>Colours:</b>	Chrome or SilkSteel	
<b>Maximum Water Pressure:</b>	75 PSI (5 bar)	
<b>Maximum Hot-Water Temperature:</b>	70°C	
<b>Recommended hot water Temperature:</b>	65°C	
<b>Guarantee:-</b>	<b>Valve:</b>	5 year
	<b>Surface:</b>	1 year
<b>Joints:</b>	It is recommended that compression fittings are used to link the tap to the supply.	
Some taps may require bracing to avoid flexing of the sink ledge.		

**Tails:** 1 x 8mm Flexi tails (cold)  
1 x 10mm Flexi tails (hot)  
colour coded



**Valve Mechanism:** Ceramic Disc Mechanism



\* South Services: 0870 241 5632 \* Central Services: 01782 599258 All Franke taps are designed to conform with Water Research Council Requirements.

NB. Ceramic disc taps in certain installations or where there is a low head of water (below 4 metres) may not provide adequate flow rates. You are advised to check with your supplier. The minimum supply pressure for Hot water should be 1 bar to operate the rinse. The optimum is 2 bar from a balanced system (hot and cold).