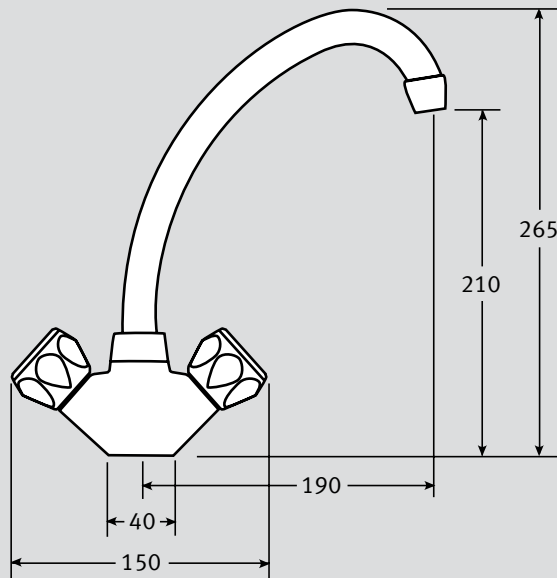


Professional Monobloc Specifications

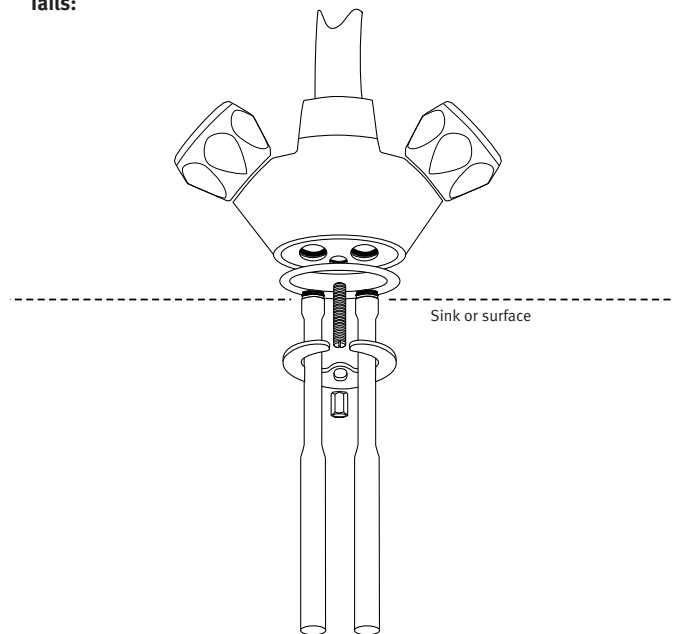
- Compression valve tap assembly
- Non rising headwork
- Attractive arched spout
- Screw down collar
- Compatible with most Franke sink types
- Requires 35mm tap hole
- Fully guaranteed with nationwide servicing*



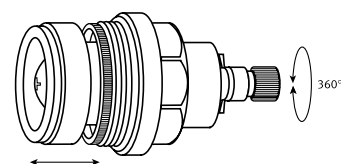
Material:	Solid form brass body and brass spout
Type:	Compression valve mixer tap
Spout:	Tubular biflow spout
Tails:	Supplied with 15mm copper tails and fixing kit for body
Tap Height:	210 and 265
Spout Reach:	190
Handle Width:	150
Colours:	Chrome
Maximum Water Pressure:	75 PSI (5 bar)
Maximum Hot-Water Temperature:	70°C
Recommended Hot-Water Temperature:	65°C
Guarantee	Valve: 5 year Surfaces: 1 year
Joints:	It is recommended that compression fittings are used to link the tap to the supply.

Some taps may require bracing to avoid flexing of the sink ledge.

Tails:



Valve Mechanism:



* Central Services: 01782 599258 All Franke taps are designed to conform with Water Research Council Requirements.
 NB. Ceramic disc taps in certain installations or where there is a low head of water (below 4 metres) may not provide adequate flow rates. You are advised to check with your supplier.