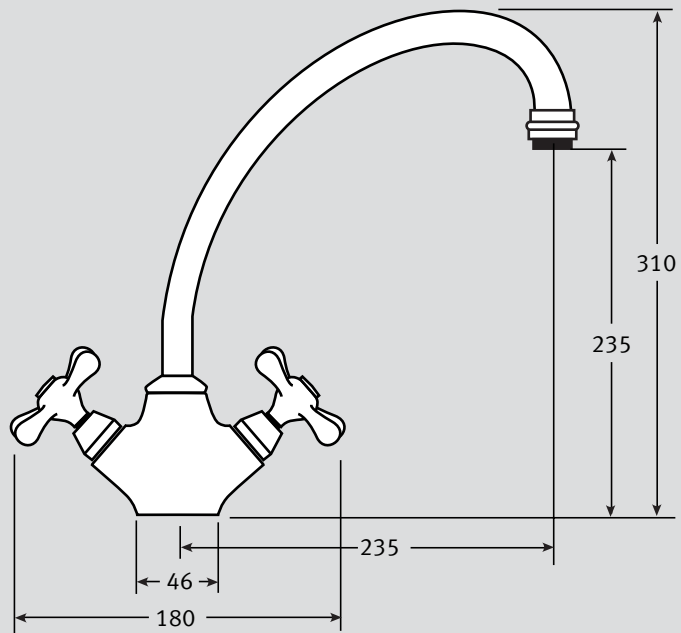


# Montreux Specifications

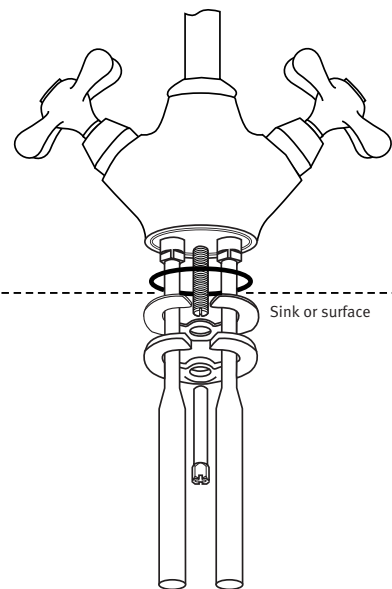
- Compression valve mixer
- Non-rising headwork
- Distinctive capstan handles and spout
- Pleasing traditional design
- Coded indices
- Requires 35mm tap hole
- Compatible with most Franke sink types
- Conforms to W.R.C. requirements
- Fully guaranteed with nationwide servicing\*



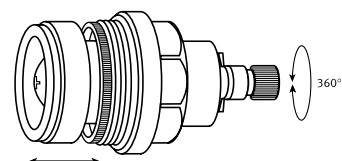
|   |   |        |
|---|---|--------|
| <b>Material:</b>                          | Solid brass body and tubular brass spout  |        |
| <b>Type:</b>                              | Compression valve mixer tap   |        |
| <b>Spout:</b>                             | Tubular biflow spout with bayonet fitting into body secured by grub screw           |        |
| <b>Tails:</b>                             | Factory fitted screw-in 15mm copper tails. Supplied with fixing kit for body        |        |
| <b>Tap Height:</b>                        | 235 (overall tap height 310)  |        |
| <b>Spout Reach:</b>                       | 235   |        |
| <b>Handle Width:</b>                      | 180   |        |
| <b>Colours:</b>                           | Chrome or Gold  |        |
| <b>Maximum Water Pressure:</b>            | 75 PSI (5 bar)  |        |
| <b>Maximum hot-water Temperature:</b>     | 70°C  |        |
| <b>Recommended hot water Temperature:</b> | 65°C  |        |
| <b>Guarantee:-</b>                        | <b>Valve:</b>   | 5 year |
|   | <b>Surface:</b>   | 1 year |
| <b>Joints:</b>                            | It is recommended that compression fittings are used to link the tap to the supply. |        |

Some taps may require bracing to avoid flexing of the sink ledge.

## Tails:



## Valve Mechanism:



\* Central Services: 01782 599258 All Franke taps are designed to conform with Water Research Council Requirements.

NB. Ceramic disc taps in certain installations or where there is a low head of water (below 4 metres) may not provide adequate flow rates. You are advised to check with your supplier.