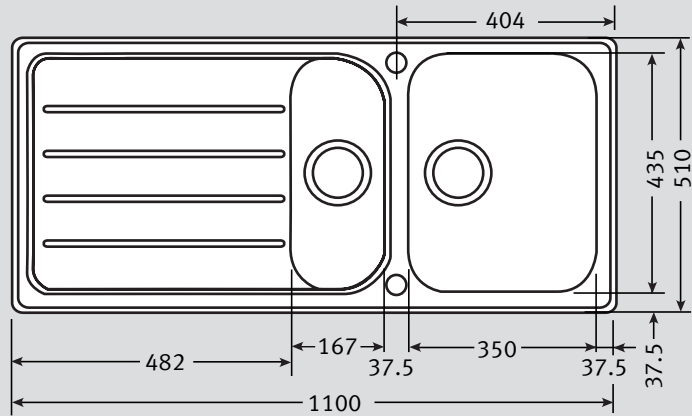


# NTG 651 Specifications

- Traditional Ariane design bowl
- 2 x 90mm Wastes with Basket Strainer Wastes. Capable of adaptation to take Waste Disposal Unit
- Stainless Steel accessories available
- Unique large recessed drainer design
- Glide and slide accessories
- Food preparation friendly



<b>Material:</b>	SilkSheen Fraganite	<b>Waste:</b>	2 x McAlpine 90mm Basket Strainer Wastes	<b>Overflow:</b>	Not Applicable
<b>Application:</b>	Inset				
<b>Bowl size:</b>	350 x 435 x 180 167 x 400 x 80				
<b>Drainer Format:</b>	Left or right hand drainer available	<b>Accessories available:</b> 			
<b>Cut-out size:</b>	1086 x 496 (cr=23)				
<b>Colour:</b>	Graphite, Cobalt Blue, Polar White, Ivory or Platinum				
<b>Seal:</b>	Mastic Sealant				
<b>Insulation:</b>	Integral	<b>Food Preparation Platter</b> Kambala			
<b>Heat Resistance:</b>	Up to 280°C				
<b>Earthing Point:</b>	Not applicable				
<b>Cabinet size:</b>					
<b>Fixing Clips:</b>	Attached				
<b>Plumbing Kit:</b>	2 part				
		<b>Taps:</b> Any Franke tap can be utilised with this model*.			
		<b>See Tap Section for matching tap</b>			
		*Ceramic disc taps in certain installations or where there is a low head of water (below 4 metres) may not provide adequate flow rates. You are advised to check with your supplier.			

**Guarantee:** Franke sinks are guaranteed for 25 years against manufacturing defect. Franke taps are guaranteed against defective materials and workmanship for 1 year in relation to coatings and finishes, and 5 years in relation to moving parts. Franke will replace (and where appropriate repair) defective sinks. In relation to taps, Franke will where appropriate provide replacement parts for your taps or replace your taps. Any associated or ancillary costs to be incurred by you as a result of replacement of Franke sinks and taps under this guarantee shall in all cases be previously approved by Franke UK Limited. This guarantee is in addition to and does not affect your statutory rights.