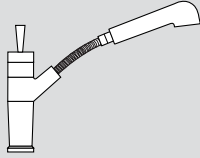
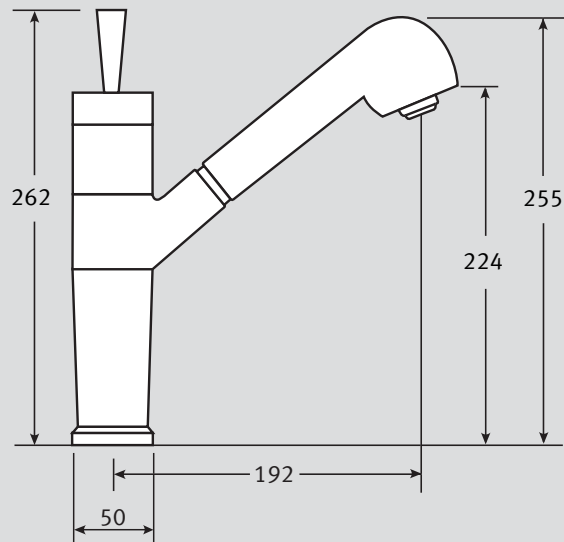


## Pilatus PowerStream Specifications

- **Single Lever Action**
- **Pull-out hand spray** for easy application



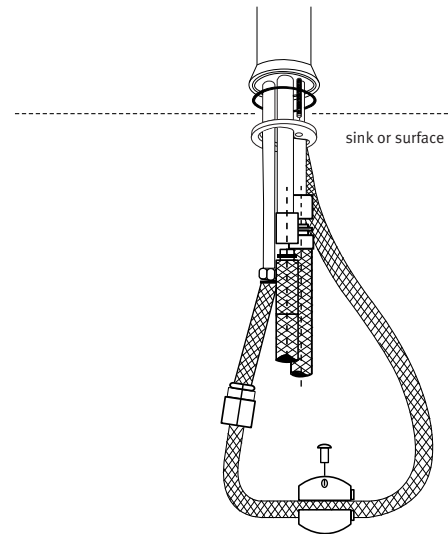
- **Ceramic disc cartridge mechanism**
- **Solid brass and ABS body**
- **Compatible with most Franke sinks**
- **Available in Chrome or SilkSteel**
- **Requires 35mm tap hole**
- **Conforms to W.R.C requirements**
- **Fully guaranteed** with nationwide servicing



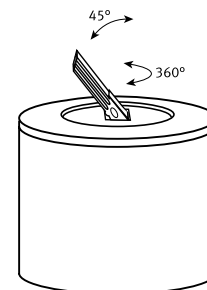
<b>Material:</b>	Brass body and spout with ABS fittings
<b>Type:</b>	Top mount single lever mixer
<b>Spout:</b>	Pull-out spray. Nylon hose with 'easy touch' spray head close up. Secured by screw through body
<b>Tails:</b>	Flexi tails Non return valves supplied
<b>Tap Height:</b>	224 (overall tap height 262)
<b>Spout Reach:</b>	192
<b>Handle Width:</b>	Not applicable
<b>Colours:</b>	Chrome or SilkSteel
<b>Maximum Water Pressure:</b>	75 PSI (5 bar)
<b>Maximum hot-water Temperature:</b>	70°C
<b>Recommended hot-water Temperature:</b>	65°C
<b>Guarantee:-</b>	<b>Ceramic mechanism:</b> 5 year <b>Surface:</b> 1 year
<b>Joints:</b>	It is recommended that compression fittings are used to link the tap to the supply

Some taps may require bracing to avoid flexing of the sink ledge

### Tails:



### Valve Mechanism:



\* Central Services: 01782 599258 All Franke taps are designed to conform with Water Research Council Requirements.  
 NB. Ceramic disc taps in certain installations or where there is a low head of water (below 4 metres) may not provide adequate flow rates. You are advised to check with your supplier.