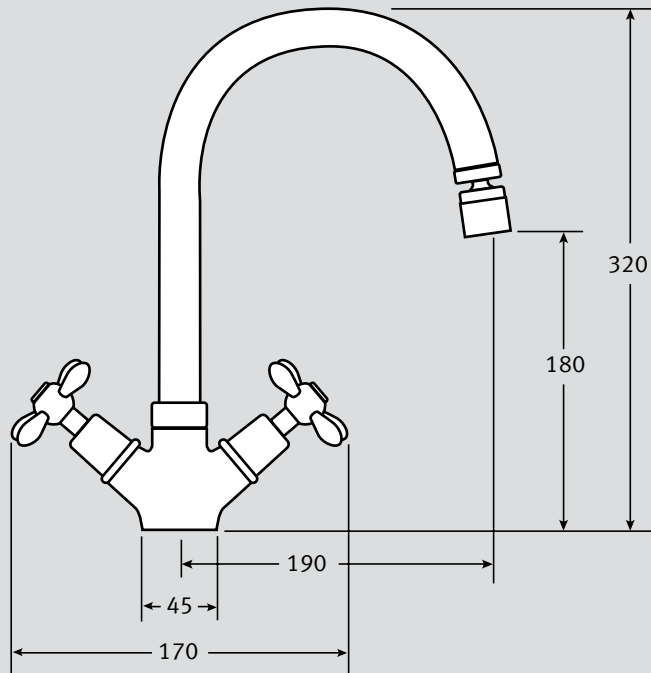


# Rotaflow Specifications

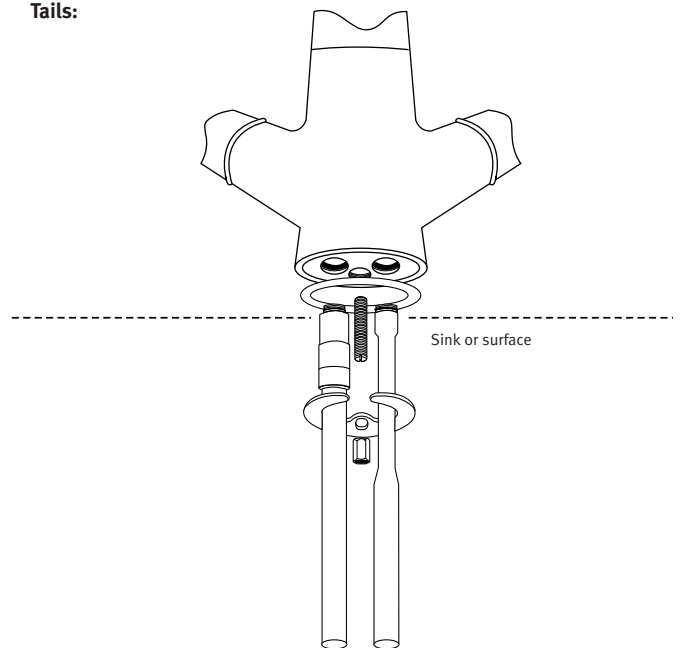
- Compression valve tap assembly
- Screw down collar
- Attractive petal hand wheel design
- Coded indices
- High arc spout
- Swivel aerator for directional control
- Available in Chrome, Silksteel, and Fraganite finishes
- Co-ordinates with a wide range of sinks
- Requires 35mm tap hole
- Fully guaranteed with nationwide servicing\*



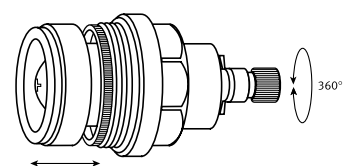
<b>Material:</b>	Solid brass body and brass spout	
<b>Type:</b>	Compression valve mixer tap	
<b>Spout:</b>	Tubular biflow spout with removable swivel aerator. Screw down collar.	
<b>Tails:</b>	Screw-in 15mm copper tails supplied with one built in non-return valve. Fixing kit supplied for body.	
<b>Tap Height:</b>	180 (overall tap height 320)	
<b>Spout Reach:</b>	190	
<b>Handle Width:</b>	170	
<b>Colours:</b>	Chrome, SilkSteel, Fraganite White, Oatmeal or Champagne	
<b>Maximum Water Pressure:</b>	75 PSI (5 bar)	
<b>Maximum hot-water Temperature:</b>	70°C	
<b>Recommended hot water Temperature:</b>	65°C	
<b>Guarantee:-</b>	<b>Valve:</b>	5 year
	<b>Surface:</b>	1 year
<b>Joints:</b>	It is recommended that compression fittings are used to link the tap to the supply.	

Some taps may require bracing to avoid flexing of the sink ledge.

## Tails:



## Valve Mechanism:



\* Central Services: 01782 599258 All Franke taps are designed to conform with Water Research Council Requirements.

NB. Ceramic disc taps in certain installations or where there is a low head of water (below 4 metres) may not provide adequate flow rates. You are advised to check with your supplier.