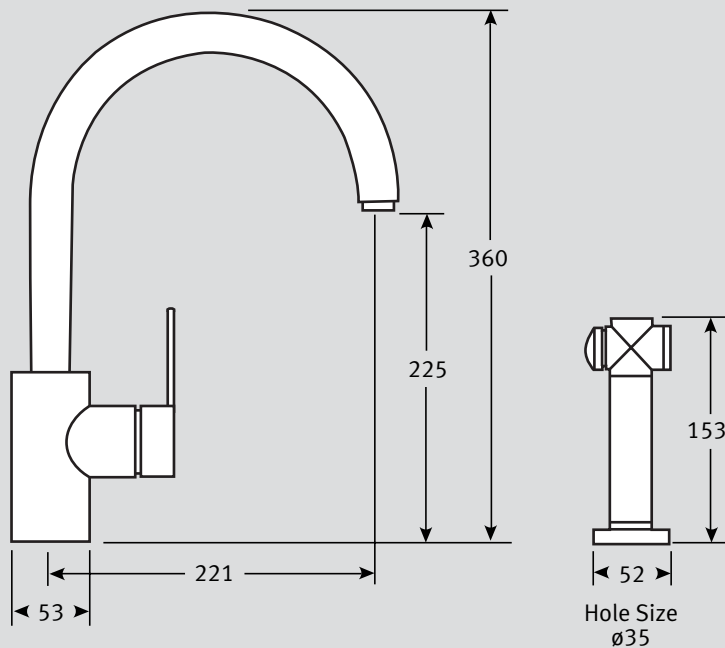


## Semi-Pro Side Spray Specifications

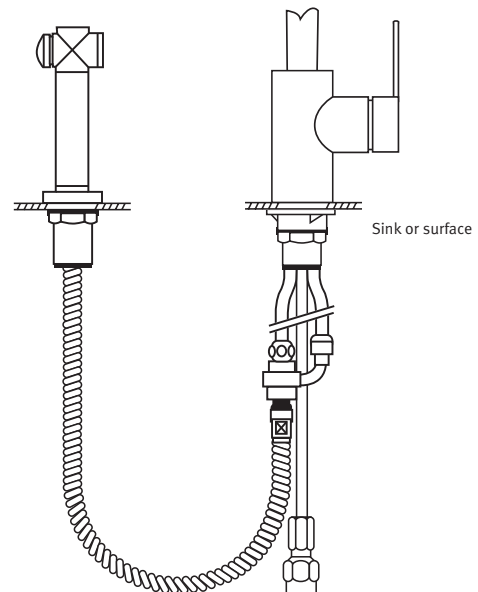
- Includes separate handspray rinse
- Single lever mixer
- Ceramic Disc Mechanism Operation
- Solid brass body
- Compatible with most Franke sink types
- Available in Chrome or SilkSteel
- Requires 35mm tap hole
- Conforms to W.R.C. requirements
- Fully guaranteed with nationwide servicing\*



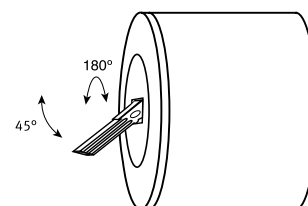
<b>Material:</b>	Solid brass body and tubular brass spout	
<b>Type:</b>	Side lever mixer in brass	
<b>Spout:</b>	Tubular spout with bayonet fitting into body secured by grub screw	
<b>Tails:</b>	Factory fitted copper tails. Supplied with fixing kit for body	
<b>Tap Height:</b>	225 (overall tap height 360)	
<b>Spout Reach:</b>	221	
<b>Handle Width:</b>	Not applicable	
<b>Colours:</b>	Chrome or SilkSteel	
<b>Maximum Water Pressure:</b>	75 PSI (5 bar)	
<b>Maximum Hot-Water Temperature:</b>	70°C	
<b>Recommended hot water Temperature:</b>	65°C	
<b>Guarantee:-</b>	<b>Ceramic disc:</b>	5 year
	<b>Surface:</b>	1 year
<b>Joints:</b>	It is recommended that compression fittings are used to link the tap to the supply.	

Some taps may require bracing to avoid flexing of the sink ledge.

### Tails:



### Valve Mechanism:



\* South Services: 0870 241 5632 \* Central Services: 01782 599258.

All Franke taps are designed to conform to Water Research Council requirements and are backed by nationwide servicing and guarantees.

**NB.** Ceramic disc taps in certain installations or where there is a low head of water (below 4 metres) may not provide adequate flow rates. You are advised to check with your supplier. Pull out nozzle and spray taps may require additional pumping in some instances and local water authority approval prior to installation.

\***NB.** Tap complete with handrinse set. The minimum supply pressure for **Hot** water should be 1 bar to operate the rinse. The optimum is 2 bar from a balanced system (hot and cold).