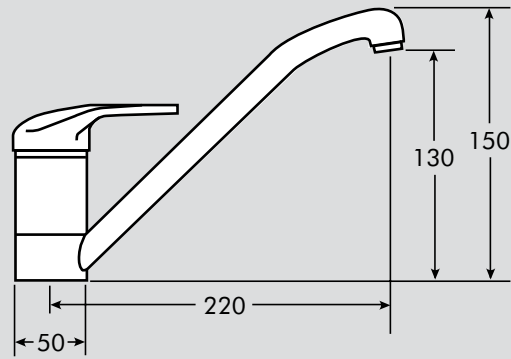


Professional Top Lever Specifications

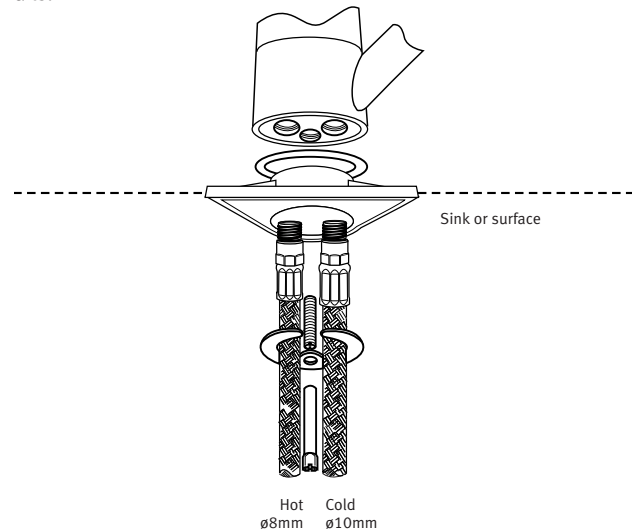
- Single lever action
- Ceramic disc cartridge mechanism
- Brass body and spout
- Long reach spout
- Compatible with most Franke sink types
- Requires 35mm tap hole
- Fully guaranteed with nationwide servicing*



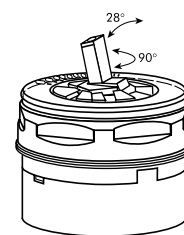
Material:	Solid brass body and brass spout	
Type:	Top mounted lever	
Spout:	Single Flow continental spout with long reach	
Tails:	Flexi tails with built in non return valves	
Tap Height:	130 (overall tap height 150)	
Spout Reach:	220	
Handle Width:	Not applicable	
Colours:	Chrome and SilkSteel	
Maximum Water Pressure:	75 PSI (5 bar)	
Maximum Hot-Water Temperature:	70°C	
Recommended Hot-Water Temperature:	65°C	
Guarantee:-	Ceramic mechanism	5 year
	Surfaces:	1 year
Joints:	It is recommended that compression fittings are used to link the tap to the supply.	

Some taps may require bracing to avoid flexing of the sink ledge.

Tails:



Valve Mechanism: Cartridge



* South Services: 0870 241 5632 * Central Services: 01782 599258 All Franke taps are designed to conform with Water Research Council Requirements.

NB. Ceramic disc taps in certain installations or where there is a low head of water (below 4 metres) may not provide adequate flow rates. You are advised to check with your supplier.