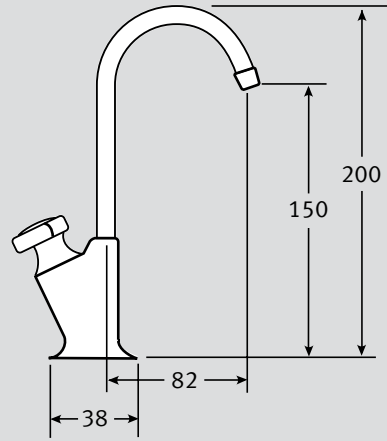


## Triflow Mini Specifications

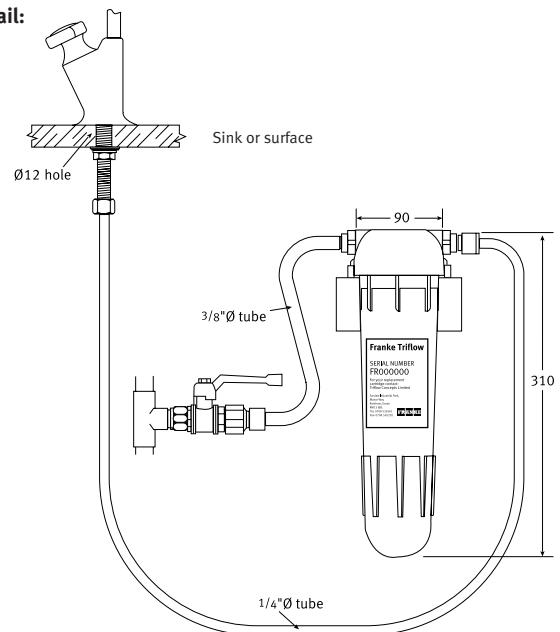
- Quarter turn action
- Dedicated drinking water tap
- Includes integrated filter system
- Exceptional filtration capability
- Neat attractive design
- One piece body
- Rotating spout
- Multiple application
- Requires 12mm tap hole
- Fully guaranteed with nationwide servicing\*



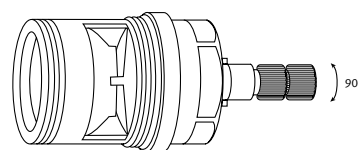
<b>Material:</b>	Solid brass machined body and single flow spout
<b>Type:</b>	Quarter turn
<b>Spout:</b>	Single flow brass spout
<b>Tail:</b>	Copper
<b>Tap Height:</b>	150 (overall tap height 200)
<b>Spout Reach:</b>	82
<b>Handle Width:</b>	Not applicable
<b>Colours:</b>	Chrome, Gold, Pewter, White, Champagne or Brown
<b>Maximum Water Pressure:</b>	75 PSI (5 bar)
<b>Maximum Hot-Water Temperature:</b>	Not applicable
<b>Recommended hot water Temperature:</b>	Not applicable
<b>Guarantee:-</b>	<b>Ceramic disc:</b> 5 year <b>Surface:</b> 1 year
<b>Joints:</b>	It is recommended that compression fittings are used to link the tap to the supply

Some taps may require bracing to avoid flexing of the sink ledge.

### Tail:



### Valve Mechanism:



\*Avilion: 01708 526361

All Franke taps are designed to conform with Water Research Council requirements

NB. Ceramic disc taps in certain installations or where there is a low head of water (below 4 metres) may not provide adequate flow rates. You are advised to check with your supplier.