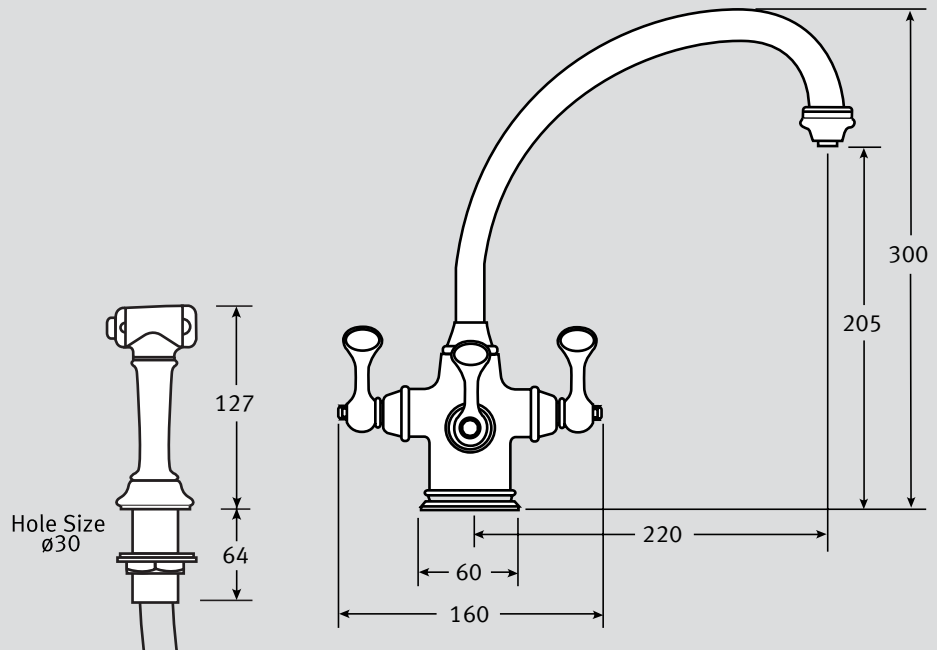


## Trispray Tradition Specifications

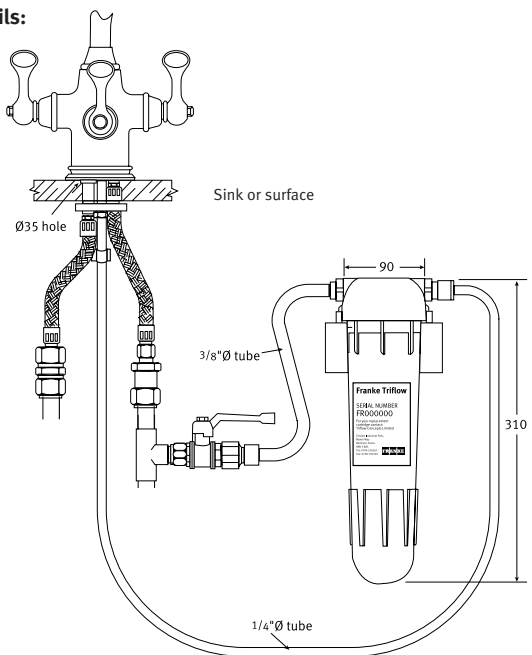
- 3 Handled Quarter turn mixer
- Includes separate handspray rinse
- Provides Hot, Cold and Purified water from a single mixer
- Coded indices
- Dedicated handle and spout outlet for purified water
- Includes an integrated Filter System
- Exceptional Filtration capability
- Machined brass body
- Meets all certification approval requirements
- Attractive design
- Compatible with most Franke sinks
- Requires 35mm tap hole
- Fully guaranteed with nationwide servicing\*



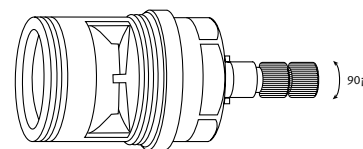
<b>Material:</b>	Solid brass machined body and tubular brass spout	
<b>Type:</b>	Quarter turn mixer	
<b>Spout:</b>	Biflow tubular spout with bayonet and screw fitting	
<b>Tails:</b>	Flexi tails	
<b>Tap Height:</b>	205 (overall tap height 300)	
<b>Spout Reach:</b>	220	
<b>Handle Width:</b>	160	
<b>Colours:</b>	Chrome	
<b>Maximum Water Pressure:</b>	75 PSI (5 bar)	
<b>Maximum Hot-Water Temperature:</b>	70°C	
<b>Recommended hot water Temperature:</b>	65°C	
<b>Guarantee:-</b>	<b>Ceramic disc:</b>	5 year
	<b>Finish:</b>	1 year
<b>Joints:</b>	It is recommended that compression fittings are used to link the tap to the supply.	

Some taps may require bracing to avoid flexing of the sink ledge.

### Tails:



### Valve Mechanism: (x3)



\*Avilion: 01708 526361

All Franke taps are designed to conform with Water Research Council requirements

**NB.** Ceramic disc taps in certain installations or where there is a low head of water (below 4 metres) may not provide adequate flow rates. You are advised to check with your supplier.