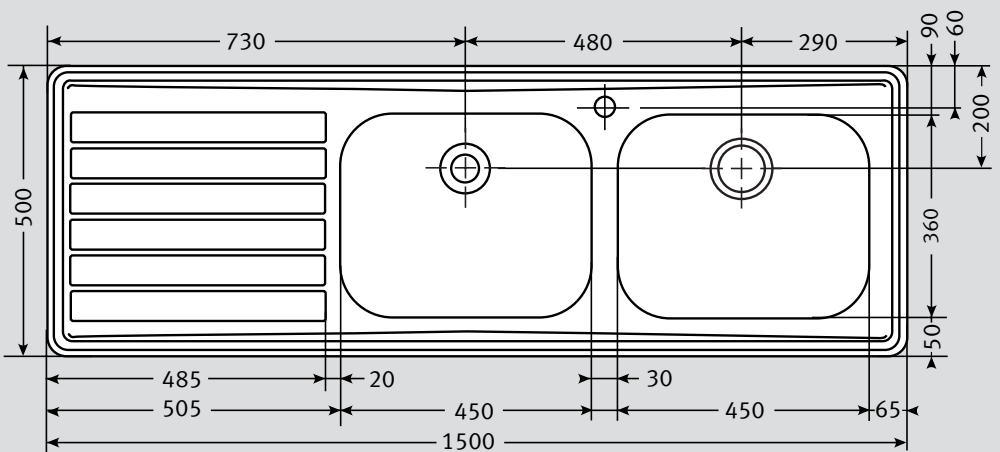
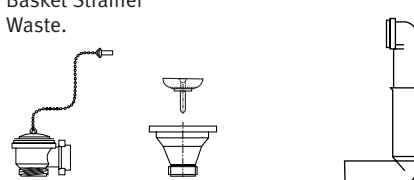
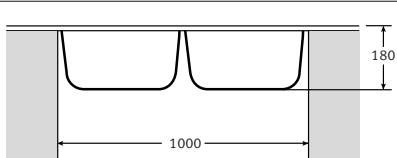
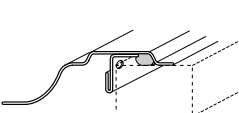
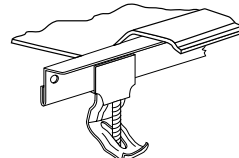
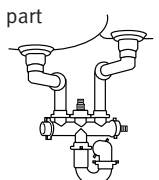


UKX 621 Specifications

- **Unique profile and corner radii.** Sink lies flat on worktop and cloths will not snag on corners
- **Modern functional design**
- **2 extra large multi-purpose bowls**
- **45mm Waste with plug in main bowl**
- **Wastes at rear of bowls** leaves more room in cabinet space



Material:	304 Austenitic 18/10 Stainless Steel	Waste:	1 x Lira 45mm Waste with plug and chain	Overflow:	
Application:	Inset or undermount		1 x Lira 90mm Basket Strainer Waste.		
Bowl size:	450 x 360 x 180 (x2)				
Drainer Format:	Left or right hand drainer available				
Cut-out size:	1483 x 483 (cr=20)				
Colour:	Silk Stainless Steel				
Seal:	Factory Fitted Polyurethane Seal				
Insulation:	Grey Dynaphon for heat and sound				
Heat Resistance:	Up to 300°C				
Earthing Point:	Located at end of clip rail				
Cabinet size:					
Sink Profile: Double Edge		Fixing Clips: 'S' rail			
Suggested Plumbing Kit: 2 part					
			Taps: Any Franke tap can be utilised with this model* (owing to the profile of this model we do not recommend Olympus, Dolphin or Franke Triflow taps with this sink).		
			*Ceramic disc taps in certain installations or where there is a low head of water (below 4 metres) may not provide adequate flow rates. You are advised to check with your supplier.		
			Some taps may need bracing to avoid flexing of the sink ledge.		

Guarantee: Franke sinks are guaranteed for 25 years against manufacturing defect. Franke taps are guaranteed against defective materials and workmanship for 1 year in relation to coatings and finishes, and 5 years in relation to moving parts. Franke will replace (and where appropriate repair) defective sinks. In relation to taps, Franke will where appropriate provide replacement parts for your taps or replace your taps. Any associated or ancillary costs to be incurred by you as a result of replacement of Franke sinks and taps under this guarantee shall in all cases be previously approved by Franke UK Limited. This guarantee is in addition to and does not affect your statutory rights.