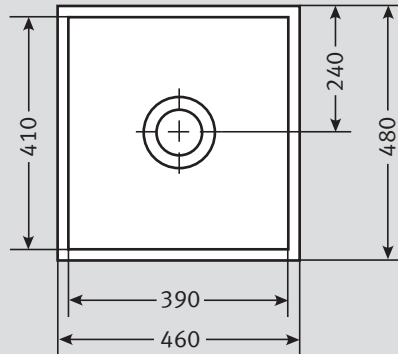


GAK 110 39 Specifications

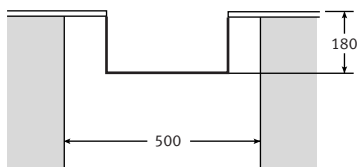
- Available in gloss white
- 1 x 90mm Waste with Basket Strainer Waste. Capable of adaptation to take Waste Disposal Unit
- Heavy ceramic design
- Ecologically friendly product
- Titanium Waste available at extra cost
- Adaptable to Inset format

N.B. Ceramic sinks may vary +/- 1% due to the firing process.

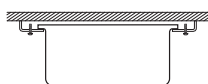


Material:	Ceramic
Application:	Undermount
Bowl Size:	390 x 410 x 180
Drainer Format:	Not applicable
Cut-out Size:	Utilise template
Colour:	Ceramic White
Seal:	Apply sealant locally
Insulation:	Not applicable
Heat Resistance:	Not applicable
Earthing Point:	Not applicable

Cabinet Size:

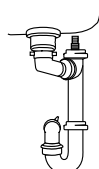


Fixing Clips:

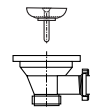


In certain installations it may be necessary to support the sink.

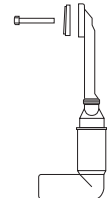
Suggested Plumbing Kit: 1 part



Waste: 1 x Lira 90mm Basket Strainer Waste with overflow.



Overflow:



Accessories: None available

Taps: Any Franke tap can be utilised with this model*.

*Ceramic disc taps in certain installations or where there is a low head of water (below 4 metres) may not provide adequate flow rates. You are advised to check with your supplier.

Guarantee: Franke sinks are guaranteed for 25 years against manufacturing defect. Franke taps are guaranteed against defective materials and workmanship for 1 year in relation to coatings and finishes, and 5 years in relation to moving parts. Franke will replace (and where appropriate repair) defective sinks. In relation to taps, Franke will where appropriate provide replacement parts for your taps or replace your taps. Any associated or ancillary costs to be incurred by you as a result of replacement of Franke sinks and taps under this guarantee shall in all cases be previously approved by Franke UK Limited. This guarantee is in addition to and does not affect your statutory rights.