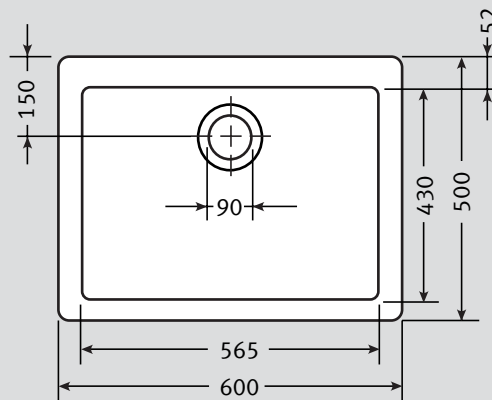
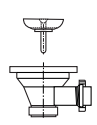
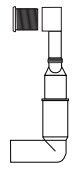
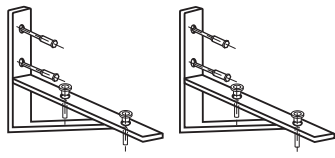
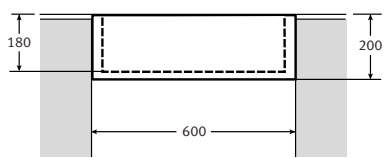


VBK 710 Specifications

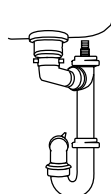
- **1 x 90mm Waste with Basket Strainer Waste and overflow.**
Capable of adaptation to take Waste Disposal Unit
- **Creates a 'Farmhouse Look'**
- **Deep single bowl design**
- **Titanium available at extra cost**

N.B. Ceramic sinks may vary +/- 1% due to the firing process.



Materials:	Fireclay Ceramic	Waste:	1 x Lira 90mm Basket* Strainer Waste with overflow	Overflow:	
Application:	Stand alone				
Bowl size:	565 x 430 x 180 External bowl depth 200	*Zirconium finish option available at extra cost			
Drainer Format:	Not applicable	Optional accessories available: Brackets			
Cut-out size:	Not applicable				
Colour:	White				
Seal:	Dependant on application				
Insulation:	Integral				
Heat resistance:	Up to 1000°C				
Earthing Point:	Not applicable				
Cabinet size:					
Fixing Clips:	Not applicable				

Suggested Plumbing Kit: 1 part



Taps: Any Franke tap can be utilised with this model*.

*Ceramic disc taps in certain installations or where there is a low head of water (below 4 metres) may not provide adequate flow rates. You are advised to check with your supplier.

Guarantee: Franke sinks are guaranteed for 25 years against manufacturing defect. Franke taps are guaranteed against defective materials and workmanship for 1 year in relation to coatings and finishes, and 5 years in relation to moving parts. Franke will replace (and where appropriate repair) defective sinks. In relation to taps, Franke will where appropriate provide replacement parts for your taps or replace your taps. Any associated or ancillary costs to be incurred by you as a result of replacement of Franke sinks and taps under this guarantee shall in all cases be previously approved by Franke UK Limited. This guarantee is in addition to and does not affect your statutory rights.