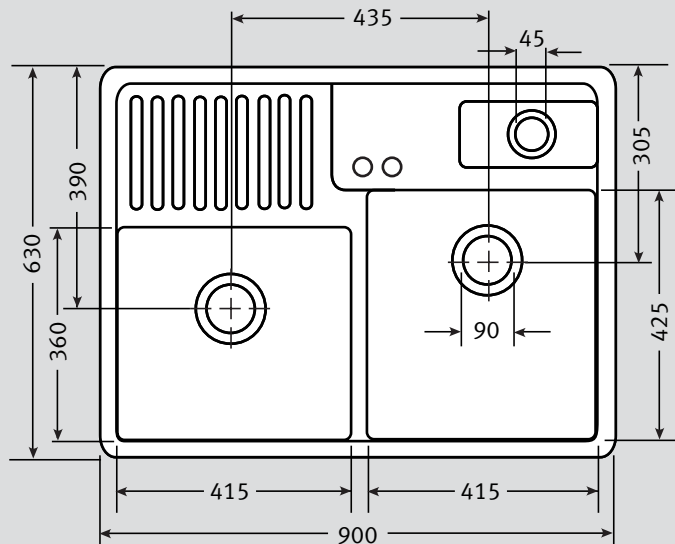


VBK 771 Specifications

- **2 x 90 mm waste with Basket Strainer Waste.** Capable of adaptation to take Waste Disposal Unit
- **Double bowl Belfast design**
- **Large diagonal bowl dimension.**
- **Practical 2 bowl format and Rinsing Bowl**
- **Various tap options**
- **Small drainer area**
- **Ecologically friendly product**
- **Titanium wastes available at extra costs**

N.B. Ceramic sinks may vary +/- 1% due to the firing process.



Material: Fireclay Ceramic

Application: Stand alone

Bowl sizes: 415 x 425 x 185 245 x 115 x 105
415 x 360 x 185 External bowl depth 220

Drainer Format: Not applicable

Cut-out size: Not applicable

Colour: White

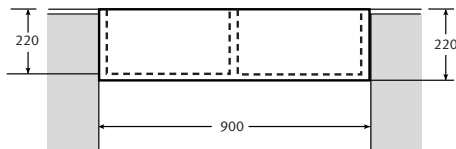
Seal: Dependant on application

Insulation: Integral

Heat Resistance: Up to 1000°C

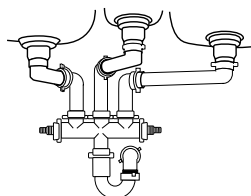
Earthing Point: Not applicable

Cabinet size:



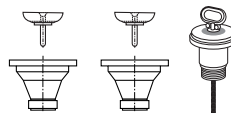
Fixing Clips: Not applicable
Brackets available

Suggested Plumbing Kit: 3 part



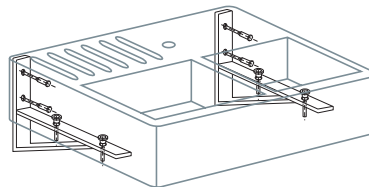
Waste: 2 x Lira 90mm Basket*
Strainer Wastes with
overflow
1 x 45mm Strainer
Waste with plug

Overflow: Not Applicable



*Zirconium finish also available at Extra Cost

Optional accessories available: Brackets



Taps: Any Franke tap can be utilised with this model*.

*Ceramic disc taps in certain installations or where there is a low head of water (below 4 metres) may not provide adequate flow rates. You are advised to check with your supplier.

Guarantee: Franke sinks are guaranteed for 25 years against manufacturing defect. Franke taps are guaranteed against defective materials and workmanship for 1 year in relation to coatings and finishes, and 5 years in relation to moving parts. Franke will replace (and where appropriate repair) defective sinks. In relation to taps, Franke will where appropriate provide replacement parts for your taps or replace your taps. Any associated or ancillary costs to be incurred by you as a result of replacement of Franke sinks and taps under this guarantee shall in all cases be previously approved by Franke UK Limited.

This guarantee is in addition to and does not affect your statutory rights.