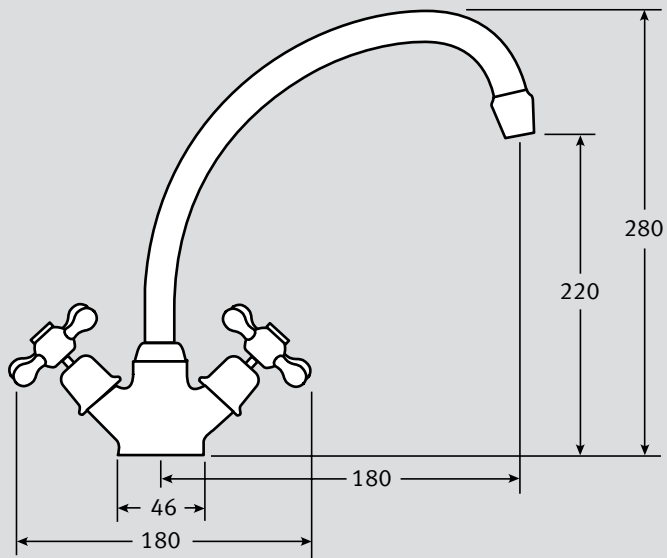


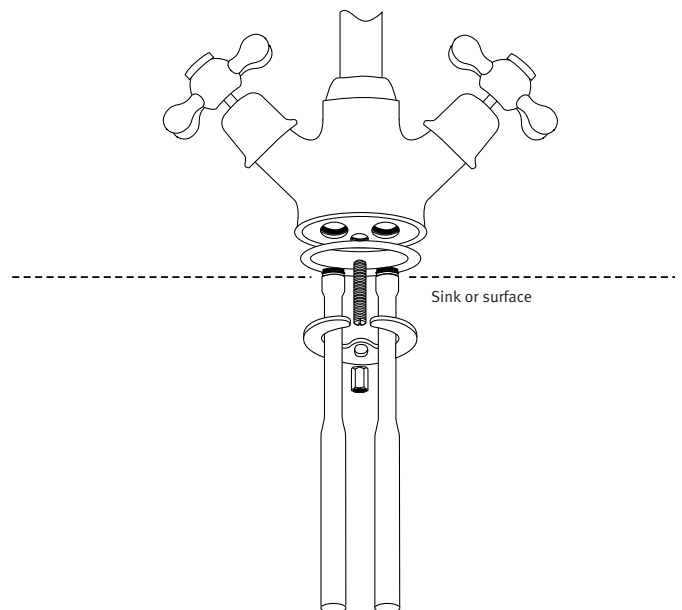
Professional Victorian Specifications

- Compression valve tap assembly
- Screw down collar with hooked spout
- Easily operated capstan handles
- Traditional design
- Non rising headwork
- Coded indices
- Requires 35mm tap hole
- Fully guaranteed with nationwide servicing*

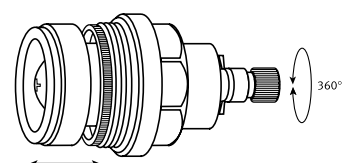


| | | |
|---|---|--------|
| Material: | Solid brass body and brass spout | |
| Type: | Compression valve mixer tap | |
| Spout: | Tubular biflow with screw down collar | |
| Tails: | Supplied with screw-in 15mm copper tails and fixing kit for body | |
| Tap Height: | 220 (overall tap height 280) | |
| Spout Reach: | 180 | |
| Handle Width: | 180 | |
| Colours: | Chrome and Gold | |
| Maximum Water Pressure: | 75 PSI (5 bar) | |
| Maximum Hot-Water Temperature: | 70°C | |
| Recommended Hot-Water Temperature: | 65°C | |
| Guarantee:- | Valve: | 5 year |
| | Surfaces: | 1 year |
| Joints: | It is recommended that compression fittings are used to link the tap to the supply. | |
| Some taps may require bracing to avoid flexing of the sink ledge. | | |

Tails:



Valve Mechanism:



* Central Services: 01782 599258 All Franke taps are designed to conform with Water Research Council Requirements.
 NB. Ceramic disc taps in certain installations or where there is a low head of water (below 4 metres) may not provide adequate flow rates. You are advised to check with your supplier.